



# Novotek Masterbus 300 OPC Server

2020-06-01

**NOVOTEK** 



# Background

- **Novotek developed an ABB EXCOM FIX driver**
- **Novotek participated in the development of ABB Advasoft**
- **Novotek delivered an application to replace ABB OS using 3rd party GCOM (1998)**
- **Novotek developed a GCOM OPC Server (2000)**
- **Novotek developed the MB300 OPC Server (2005)**
- **Novotek adds new functions to the MB300 OPC (New blocks, TTD, OPC AE) (2007)**
- **Novotek adds MultiDAT object for profile data to the MB300 OPC (2010)**
- **Novotek adds full redundant MB300 network support to the MB300 OPC (2013)**
- **Novotek adds full support for latest OS all the time**
- **To date ~ 100 MB300 OPC licenses delivered**





# Why the MB300 OPC Server

- **MV850 not supported anymore**
- **UNIX-based OS500 not sold anymore. End of life**
- **Modernize User Interface**
- **Provide an open interface**
- **Collect Historical data**
- **Integrate with other plant areas**





# Masterbus 300 OPC Server

- **Standard OPC server for Masterbus 300**
- **Uses standard Ethernet NIC**
- **Fast Communication**
- **Advanced tools for troubleshooting and optimization**
- **Supports MP280, AC410 and AC450**
- **Supports redundant MB300 networks**
- **Support for all major object types used in ABB controllers**
- **Supports presentation of Process Events, System Events and System Texts via OPC DA (as text strings) with controller time stamp**
- **Supports presentation and acknowledgement of Process Events, System Events and System Texts via OPC AE with controller time stamp**
- **Can be time sync master on the MB300**



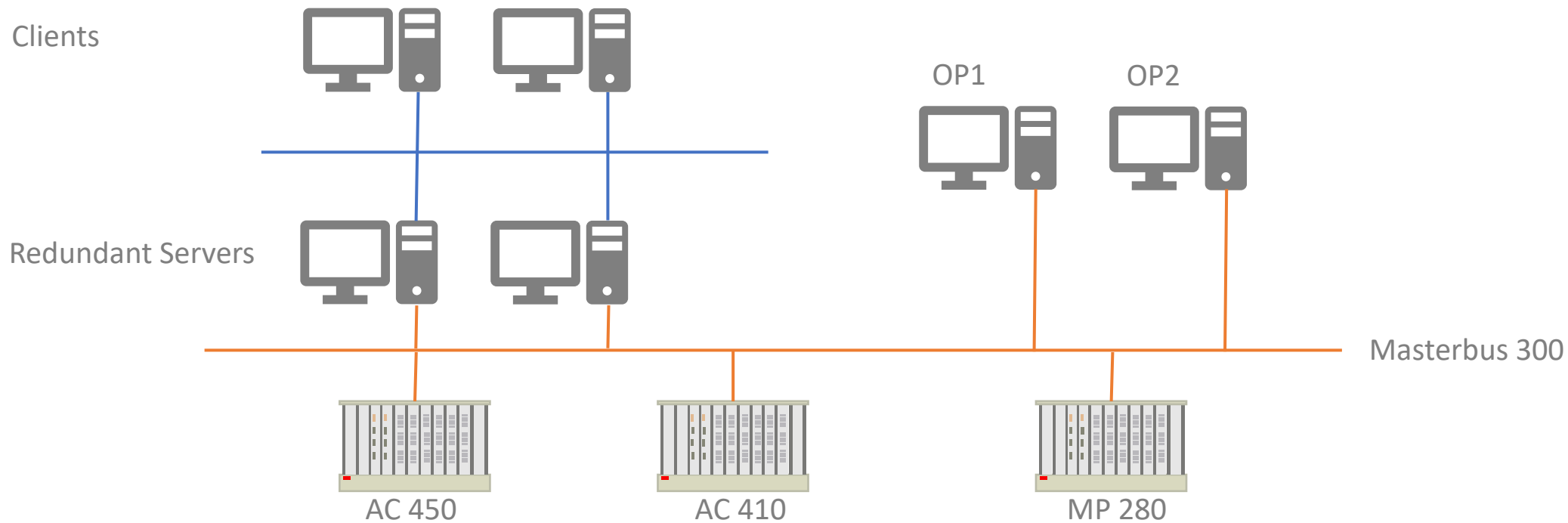


# Object types supported

- **Simple standard objects**
  - Ex AI, AO, DI, DO, DAT och TEXT etc
- **Advanced standard objects**
  - Ex MOTCON, VALVECON, PIDCON, SEQ etc
- **Special objects**
  - EX TTD, MultiDAT



# System Layout





# References

- **Reference 1**
  - **More than 10 000 ABB Objects / 11 Controllers**
  - **SCADA-solution**
  - **Historian communication**
  - **Batch communication**
  - **Inter-Controller communication (OPC Bridge)**
- **Reference 2**
  - **More than 20 000 ABB-objects / 8 controllers**
  - **Archiving of data incl TTD-logs to Proficy Historian**
  - **Web based portal presentation (trends and graphics)**





# What to buy

- **License exists in:**
  - **Sizes of 1000 or unlimited number of ABB objects**
  - **A&E OPC Server option (1000/UNL)**
  - **QCS MultiDAT option (1000/UNL)**
  - **Redundant Masterbus 300 option (1000/UNL)**
- **Support & Maintenance required for first year**
- **Novotek offers consulting in how to design system for optimal performance and minimum bus load**







# Support & Service

- **Annual Subscription Maintenance & Support**
  - **Technical support via phone, fax and email**
  - **Software updates (both major and minor releases)**
  - **Availability of onsite support based on time and expenses**
- **Services**
  - **Conversion service from \*.bax files to OPC Server configuration**
  - **Product Training**
  - **Engineering Services**





# Contact us

**Novotek AB**

**sales@novotek.com**

**www.masterbus300.com**

**www.novotek.com**



Distributor  
Intelligent Platforms

Copyright © Novotek Corp. All rights reserved

**Microsoft**  
CERTIFIED  
Partner